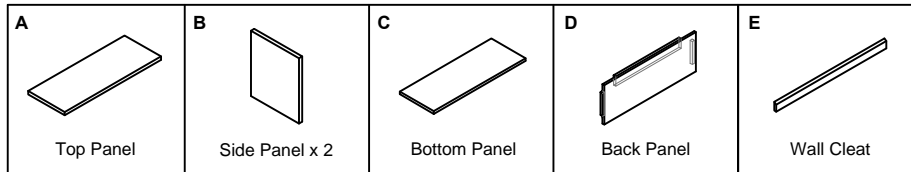
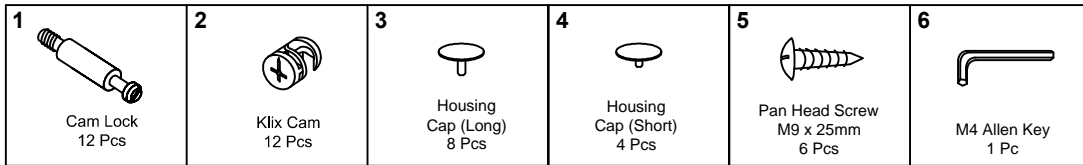
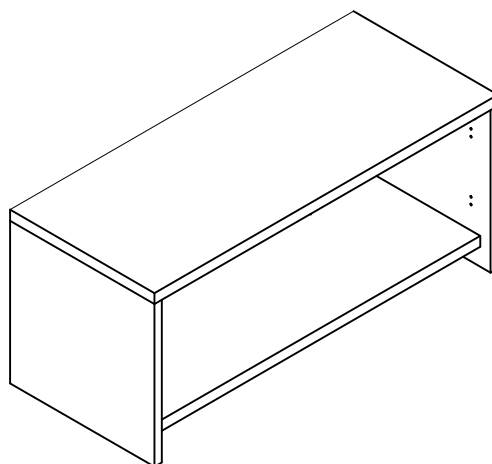
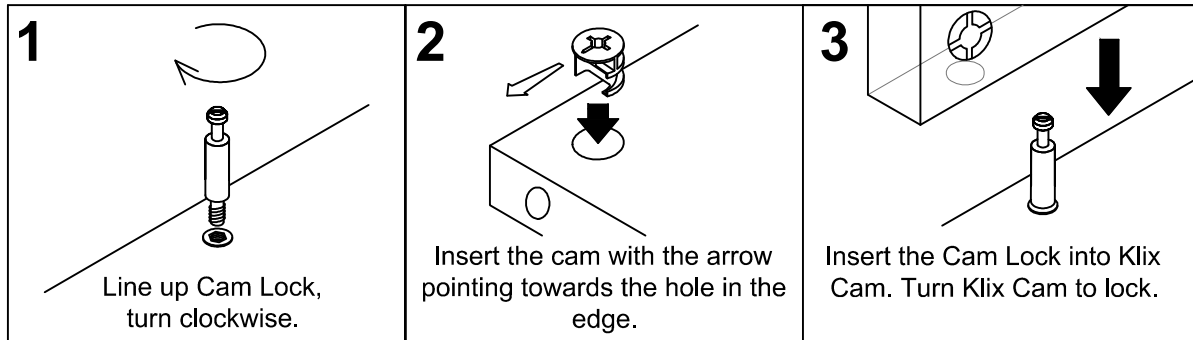


Thank you for purchasing the Performance 36"/30" Open Hutch.
Please follow these instructions for easy assembly.



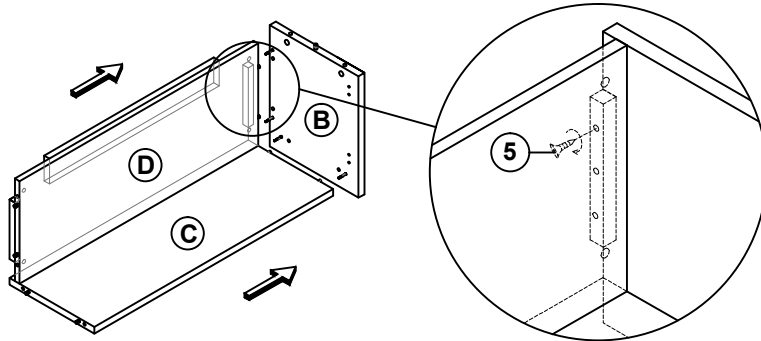
KLIX CAM INSTRUCTIONS



IMPORTANT !!

- Place all wooden parts on a clean and smooth surface such as a rug or carpet to avoid the parts from being scratched.
- Check that you have all parts and hardware.
- Remove all wrapping materials, including staples & packing straps before you start to assemble.
- Do not tighten any screws or bolts until the unit is completely assembled.
- Keep all hardware parts out of reach of children.

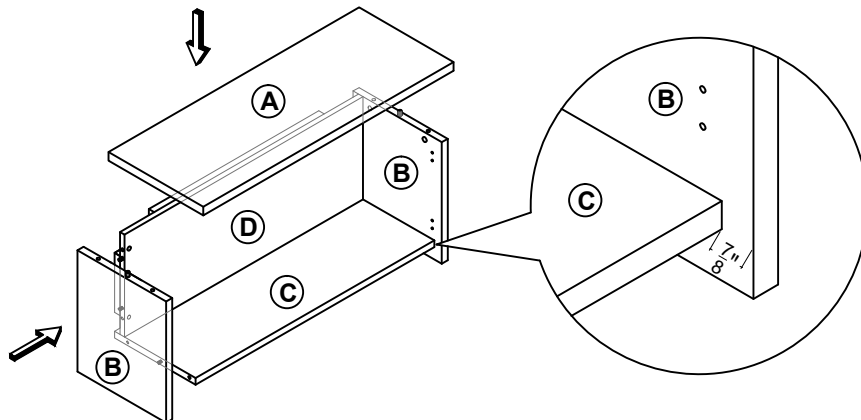
1



Secure the Back Panel(D) to Side Panel(B) by using Screw(5).

Attach the Back Panel(D) and Bottom Panel(C) to Side Panel(B) by using Cam Lock (1) and Klix Cam (2).

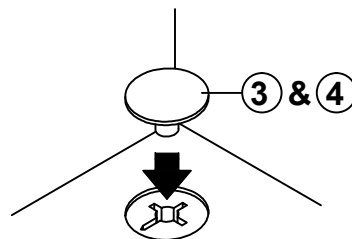
2



NOTE :
MUST have a gap of $\frac{7}{8}$ " from side panel inward .

Attach another Side Panel(B) to Back Panel(D) and Bottom Panel(C) and then attach the Top Panel(A) by using Cam Lock (1) and Klix Cam (2).

3



Attach Housing Cap(3 or 4) to all Klix Cams(B) by pushing neck through center of cam.